

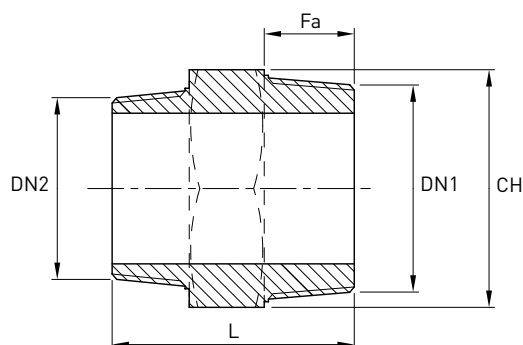
# Niplo ridotto esagonale serie 3000 NPT

## (reducing hexagonal nipple)

Norme: ANSI B16.11 - ASME B1.20.1

Materiale: Aisi 316L EN 1.4404

cod. 480



DN1	DN1 inch	DN2	DN2 inch	L mm	CH mm	Fa mm	Stock
15	1/2"	8	1/4"	48	22	14	D
		10	3/8"	48	22	14	D
20	3/4"	10	3/8"	52	27	16	D
		15	1/2"	52	27	16	D
25	1"	15	1/2"	60	35	19	D
		20	3/4"	60	35	19	D
40	1 1/2"	20	3/4"	68	50	21	D
		25	1"	68	50	21	D
50	2"	25	1"	71	62	22	D
		40	1 1/2"	71	62	22	D