

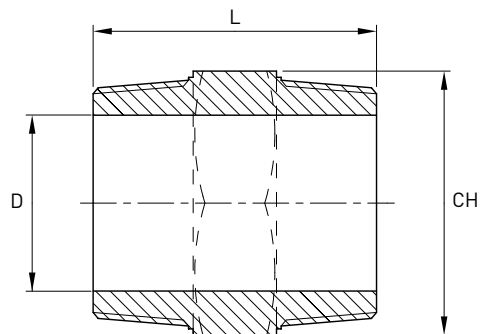
Niplo esagonale serie 3000 NPT

(hexagonal nipple)

Norme: ANSI B16.11 - ASME B1.20.1

Materiale: Aisi 316L EN 1.4404

cod. 479



DN	Ø NPT inch	D mm	L mm	CH mm	Stock
15	1/2"	14	48	22	D
20	3/4"	19	52	27	D
25	1"	24	60	35	D
32	1 1/4"	32	66	45	D
40	1 1/2"	38	68	50	D
50	2"	40	71	62	D