

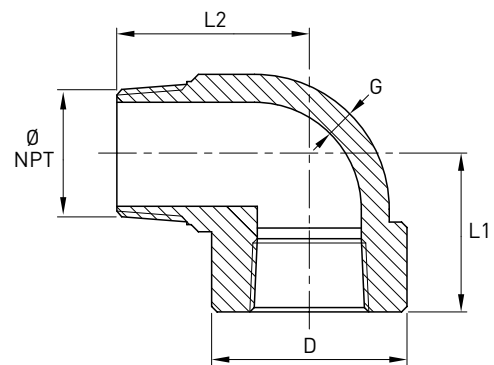
Gomito M/F serie 3000 NPT

(90° elbow M/F)

Norme: ANSI B16.11 - ASME B1.20.1

Materiale: Aisi 316L EN 1.4404

cod. 475



DN	Ø NPT inch	D mm	L1 mm	L2 mm	G mm	Stock
15	1/2"	38	28	41	4,09	D
20	3/4"	46	35	48	4,32	D
25	1"	56	44	57	4,98	D
32	1 1/4"	62	51	66	5,28	D
40	1 1/2"	75	54	71	5,56	D
50	2"	84	64	84	7,14	D