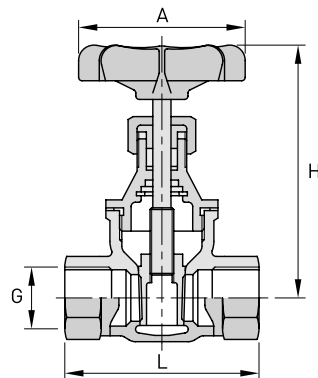


# Valvola saracinesca inox

Norme: ISO 228/1 GAS Cilindrico

Materiale: Aisi 316 EN 1.4401

cod. **444**



DN	G inch	L mm	H mm	A mm	Stock
10	3/8"	57	100	60	<b>R</b>
15	1/2"	57	100	62	<b>D</b>
20	3/4"	61	100	62	<b>D</b>
25	1"	69	123	75	<b>D</b>
32	1 1/4"	78,5	135	75	<b>D</b>
40	1 1/2"	81,5	150	95	<b>D</b>
50	2"	94,5	170	95	<b>D</b>