

Valvola a farfalla tipo wafer corpo GHISA

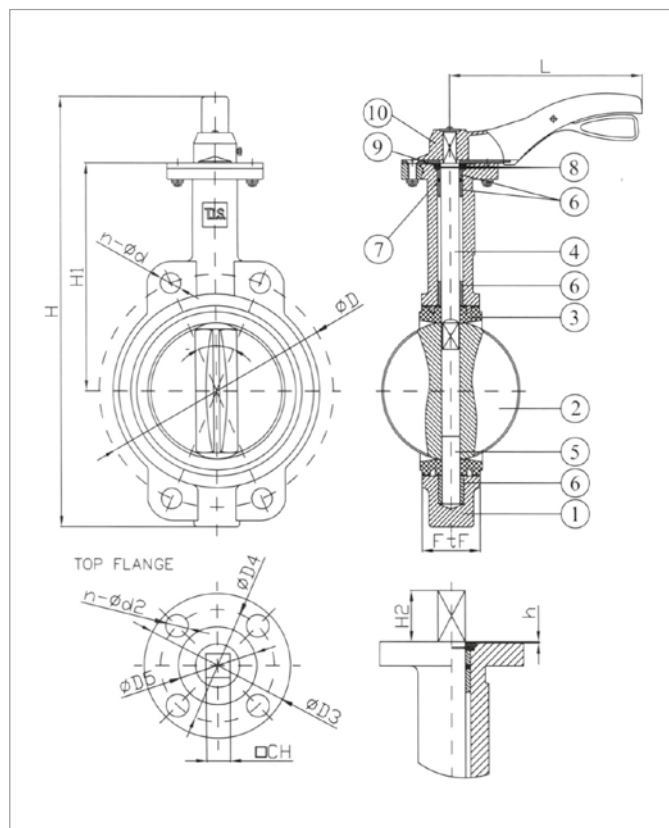
Materiale: GHISA - EPOXY

cod. 438W



DN40 ÷ DN150

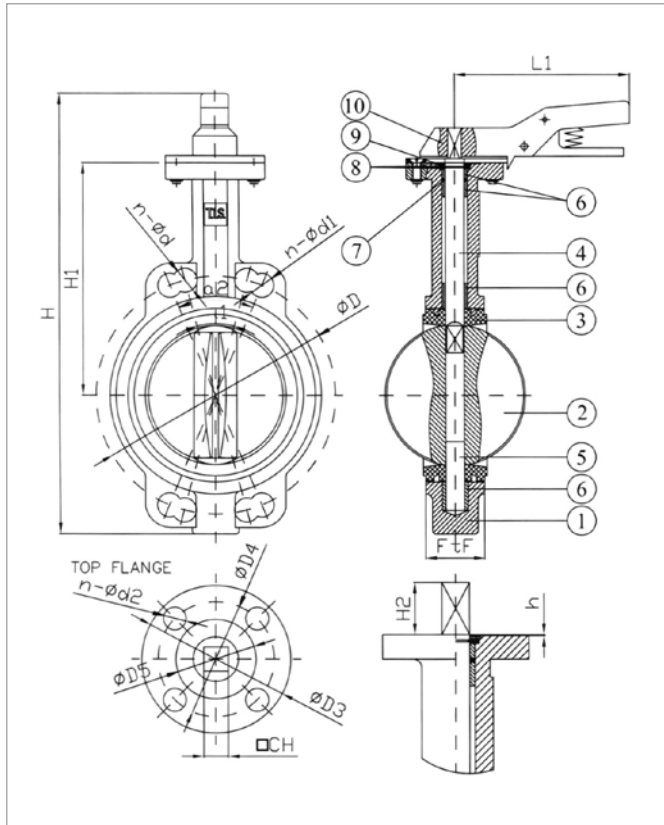
| DN | DN inch | ø D | n- ø d | ø D3 | ø D4 | ø D5 | h | n- ø d2 | CHxCH | H | H1 | H2 | L | a | FtF | Stock | Peso kg |
|-----|---------|-----|--------|------|------|------|---|---------|-------|-----|-----|----|-----|-----|-----|-------|---------|
| 40 | 1" 1/2 | 110 | 4-ø19 | 65 | 50 | 35 | 2 | 4-ø7 | 11x11 | 245 | 140 | 32 | 170 | 90° | 33 | D | 2 |
| 50 | 2" | 125 | 4-ø19 | 65 | 50 | 35 | 2 | 4-ø7 | 11x11 | 251 | 162 | 32 | 170 | 90° | 43 | D | 2,8 |
| 65 | 2" 1/2 | 145 | 4-ø19 | 65 | 50 | 35 | 2 | 4-ø7 | 11x11 | 277 | 175 | 32 | 170 | 90° | 46 | D | 3,6 |
| 100 | 4" | 180 | 8-ø19 | 90 | 70 | 50 | 2 | 4-ø9 | 14x14 | 331 | 200 | 32 | 225 | 45° | 52 | D | 5,5 |
| 125 | 5" | 210 | 8-ø19 | 90 | 70 | 50 | 2 | 4-ø9 | 14x14 | 356 | 213 | 32 | 225 | 45° | 56 | D | 7,5 |
| 150 | 6" | 240 | 8-ø19 | 90 | 70 | 50 | 2 | 4-ø9 | 14x14 | 382 | 225 | 32 | 225 | 45° | 56 | D | 8,5 |



| N° in figura | Nome | Materiale |
|--------------|------------------|---------------|
| 1 | Corpo | GJS 400 |
| 2 | Disco | Inox Aisi 304 |
| 3 | Tenuta | EPDM |
| 4 | Albero | Inox Aisi 420 |
| 5 | Albero inferiore | Inox Aisi 420 |
| 6 | Boccola | PTFE |
| 7 | O-ring | NBR |
| 8 | Rondella | Inox Aisi 304 |
| 9 | Sieger | Acciaio |
| 10 | Leva | Alluminio |

DN200

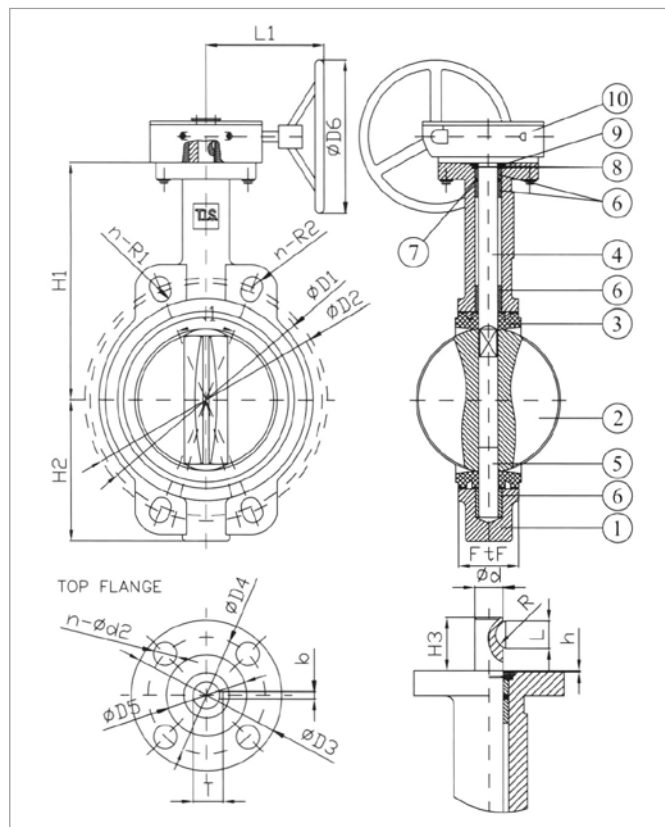
| DN | DN inch | ø D | n-ø d | ø D3 | ø D4 | ø D5 | h | n- ø d2 | CHxCH | H | H1 | H2 | a1 | a2 | L1 | FtF | Stock | Peso kg |
|-----|---------|-----|-------|------|------|------|---|---------|-------|-----|-----|----|-----|-----|-----|-----|----------|---------|
| 200 | 8" | 295 | 4-Ø23 | 125 | 102 | 70 | 2 | 4-Ø12 | 17x17 | 462 | 260 | 38 | 30° | 45° | 240 | 60 | D | 13,8 |



| N° in figura | Nome | Materiale |
|--------------|------------------|---------------|
| 1 | Corpo | GJS 400 |
| 2 | Disco | Inox Aisi 304 |
| 3 | Tenuta | EPDM |
| 4 | Albero | Inox Aisi 420 |
| 5 | Albero inferiore | Inox Aisi 420 |
| 6 | Boccola | PTFE |
| 7 | O-ring | NBR |
| 8 | Rondella | Inox Aisi 304 |
| 9 | Sieger | Acciaio |
| 10 | Leva | Ghisa |

DN250 ÷ DN300

| DN | DN inch | ø D1 | ø D2 | n-R1 | n-R2 | ø D3 | ø D4 | ø D5 | ø D6 | h | n-ø d2 | ø d | H1 | H2 | H3 | T | b | R | L | L1 | a1 | FtF | Stock | Peso kg |
|-----|---------|------|------|----------|--------|------|------|------|------|---|--------|-----|-----|-----|----|------|---|----|------|-----|-----|-----|-------|---------|
| 250 | 10" | 350 | 355 | 12-R11,5 | 12-R14 | 125 | 102 | 70 | 300 | 2 | 4-ø12 | 28 | 292 | 195 | 55 | 31,3 | 8 | 14 | 27,4 | 240 | 30° | 68 | D | 29 |
| 300 | 14" | 400 | 410 | 12-R11,5 | 12-R14 | 150 | 125 | 85 | 300 | 2 | 4-ø14 | 28 | 337 | 236 | 65 | 31,3 | 8 | 14 | 27,4 | 240 | 30° | 78 | D | 41 |



| N° in figura | Nome | Materiale |
|--------------|------------------|---------------|
| 1 | Corpo | GJS 400 |
| 2 | Disco | Inox Aisi 304 |
| 3 | Tenuta | EPDM |
| 4 | Albero | Inox Aisi 420 |
| 5 | Albero inferiore | Inox Aisi 420 |
| 6 | Boccola | PTFE |
| 7 | O-ring | NBR |
| 8 | Rondella | Inox Aisi 304 |
| 9 | Sieger | Acciaio |
| 10 | Riduttore | Ghisa |